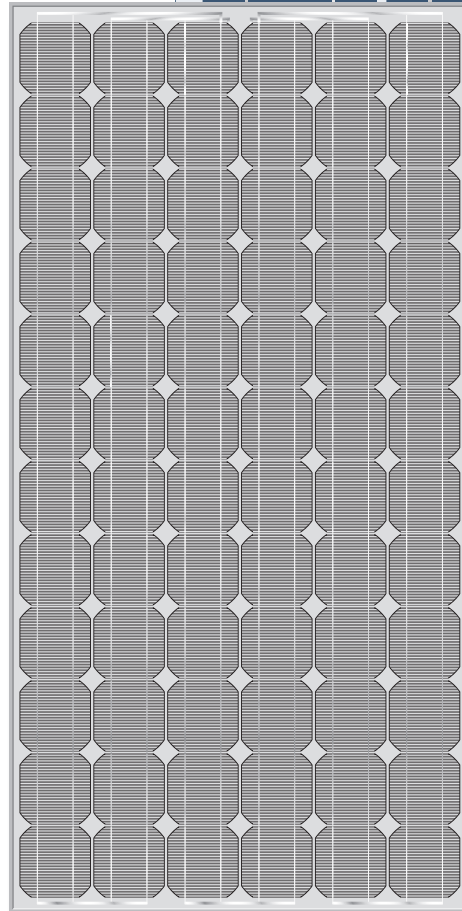




ULTIMATE 180XM

Reliability is the name of the game with Crown Renewable Energy's Ultimate Series. It's an excellent choice for a multitude of applications... Solarfarms, home use or commercial applications, we believe that our product's innovative engineering, combined with proven performance, gives Crown Renewable Energy and our customers a significant advantage in the photovoltaic market.

- High quality performance enables multipurpose applications
- In line etching using advanced laser and chemical techniques allows for higher sunlight absorption and lower current leakage
- A Crown proven performer in larger commercial application
- Patented flat and compact junction box protects against corrosion and rapidly dissipates excess heat providing a lower operating temperature
- Five Year Workmanship and 25 Year Output Warranty



805 AEROVISTA PL. STE. 202
SAN LUIS OBISPO, CA 93401
805.269.1260 805.269.1270 (FAX)
INFO@CROWNRENEWABLES.COM
WWW.CROWNRENEWABLES.COM

Outshining
the Competition

ULTIMATE 180XM

MODULE CHARACTERISTICS

Cell Type	Mono-Crystalline Silicon
No. of Cells and Connections	72 in Series

ELECTRICAL CHARACTERISTICS

	180XM
Rated Power (Pmax)	180W
Open Circuit Voltage (Voc)	44.00 V
Maximum Power Voltage (Vmp)	36.00 V
Short Circuit Current (Isc)	5.60 A
Maximum Power Current (Imp)	5.00 A

MECHANICAL CHARACTERISTICS

Dimensions	1575 x 826 x 46 mm
Weight	36 lbs 16.3 kg

THERMAL CHARACTERISTICS

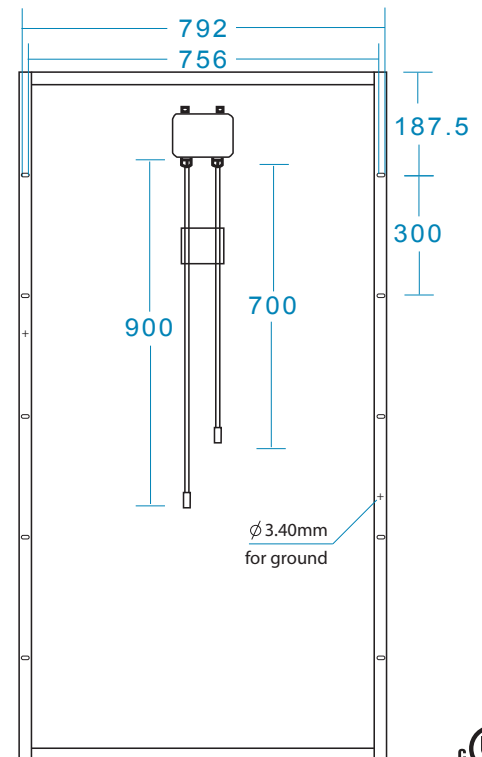
Operating Temperature	-40 to 194 °F -40 to 90 °C
Storage Temperature	-40 to 194 °F -40 to 90 °C

JUNCTION BOX SPECIFICATIONS

Series Fuse Rating	10 A
Type of Output Terminal	Lead Wire with Connector

ARRAY SPECIFICATIONS

N. American Max System Voltage	600 V
International Max System Voltage	1000 V



Dimensions are in mm



Specifications and design are subject to change without notice.
Crown Renewable Energy takes no responsibility for any defects that may occur in equipment using any CRE devices.
Contact CRE to obtain the latest product manuals before using any CRE device.