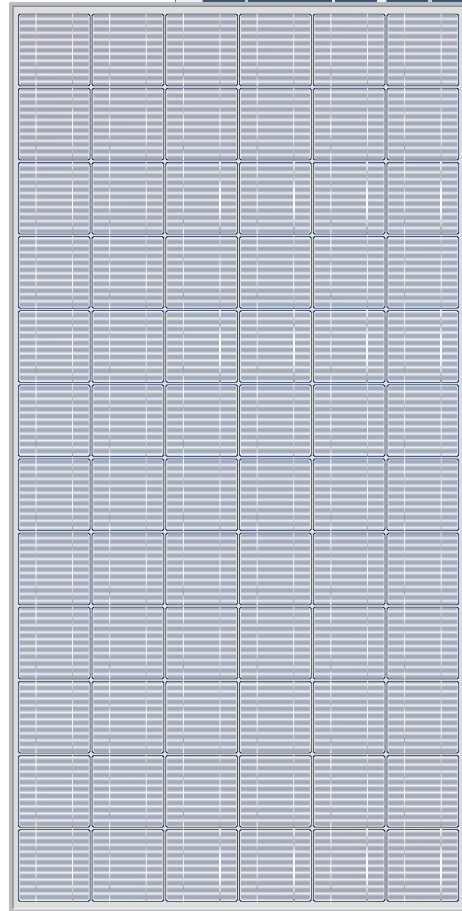




## PEAK 160XP

Crown Renewable Energy's emphasis on quality and affordability is apparent in our Peak Series Modules. Focusing on exceptionally durable product design and high output, the Peak Series is an excellent choice for a multitude of applications; from large commercial projects, to smaller residential systems. We believe that our product's innovative engineering, combined with proven performance, gives our customers a significant advantage in the photovoltaic market.

- High quality performance enables multipurpose applications
- Two Busbar cells maximize the cell's light absorbing surface
- In line etching using advanced laser and chemical techniques allows for higher sunlight absorption and lower current leakage
- Fewer surface scratches
- Highly consistent results
- Patented flat and compact junction box protects against corrosion and rapidly dissipates excess heat providing a lower operating temperature
- Five Year Workmanship and 25 Year Output Warranty



805 AEROVISTA PL. STE. 202  
SAN LUIS OBISPO, CA 93401  
805.269.1260 805.269.1270 (FAX)  
INFO@CROWNRENEWABLES.COM  
WWW.CROWNRENEWABLES.COM

Outshining  
the Competition

# PEAK 160XP

## MODULE CHARACTERISTICS

Cell Type	Poly-Crystalline Silicon
No. of Cells and Connections	72 in Series

## ELECTRICAL CHARACTERISTICS

	160XP
Rated Power (Pmax)	160W
Open Circuit Voltage (Voc)	44.00 V
Maximum Power Voltage (Vmp)	35.00 V
Short Circuit Current (Isc)	5.21 A
Maximum Power Current (Imp)	4.60 A

## MECHANICAL CHARACTERISTICS

Dimensions	1575 x 826 x 46 mm
Weight	36 lbs 16.3 kg

## THERMAL CHARACTERISTICS

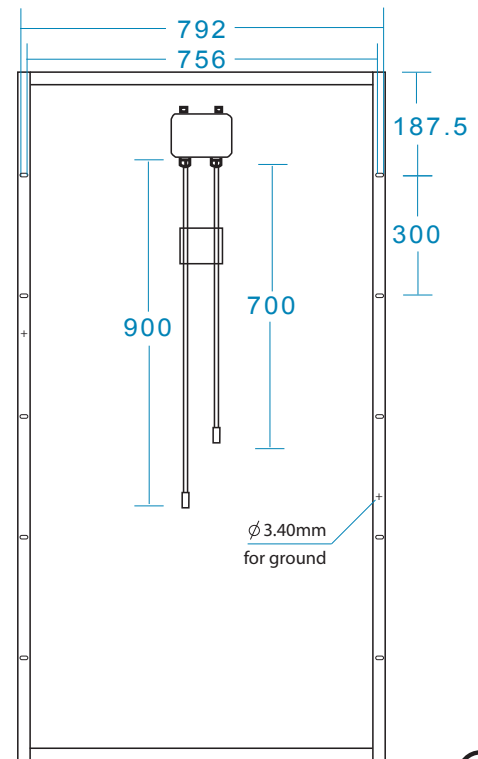
Operating Temperature	-40 to 194 °F -40 to 90 °C
Storage Temperature	-40 to 194 °F -40 to 90 °C

## JUNCTION BOX SPECIFICATIONS

Series Fuse Rating	10 A
Type of Output Terminal	Lead Wire with MC Connector

## ARRAY SPECIFICATIONS

N. American Max System Voltage	600 V
International Max System Voltage	1000 V



Specifications and design are subject to change without notice.  
 Crown Renewable Energy takes no responsibility for any defects that may occur in equipment using any CRE devices.  
 Contact CRE to obtain the latest product manuals before using any CRE device.