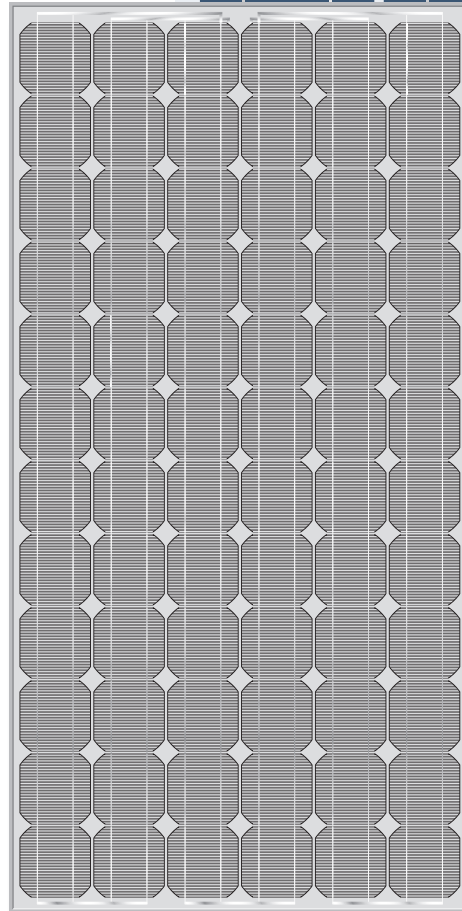




## MERIDIAN CR180

We never put the Crown stamp of approval on a less than superior product. That's why the Meridian CR180 uses innovative engineering and cutting edge technology in manufacturing, to create a reliable, highly efficient and affordable module for on-grid applications.

- High quality performance enables multipurpose applications
- Tested under a calibrated solar simulator to ensure an accurate minimum power, voltage and current rating
- Thin 35mm Profile
- Highly consistent results
- Withstands high loads of wind and snow
- Patented flat and compact junction box protects against corrosion and rapidly dissipates excess heat providing a lower operating temperature
- Five Year Workmanship and 25 Year Output Warranty
- IEC 61215 certified
- IEC 61730 certified
- Manufactured in ISO 9001 certified facility



805 AEROVISTA PL. STE. 202  
SAN LUIS OBISPO, CA 93401  
805.269.1260 805.269.1270 (FAX)  
INFO@CROWNRENEWABLES.COM  
WWW.CROWNRENEWABLES.COM

Outshining  
the Competition

# MERIDIAN CR180

## MODULE CHARACTERISTICS

Cell Type	Mono-Crystalline Silicon
No. of Cells and Connections	72 in Series

## ELECTRICAL CHARACTERISTICS

	CR170	CR175	CR180
Rated Power (Pmax)	170W	175W	180W
Open Circuit Voltage (Voc)	44.5 V	44.7 V	44.9 V
Maximum Power Voltage (Vmp)	37.0 V	37.1 V	37.2 V
Short Circuit Current (Isc)	5.37 A	5.45A	5.53 A
Maximum Power Current (Imp)	4.60 A	4.72 A	4.84 A

## MECHANICAL CHARACTERISTICS

Dimensions	1576 x 799 x 35 mm
Weight	37.5 lbs 17 kg

## THERMAL CHARACTERISTICS

Operating Temperature	-40 to 194 °F -40 to 90 °C
Storage Temperature	-40 to 194 °F -40 to 90 °C

## CERTIFICATIONS



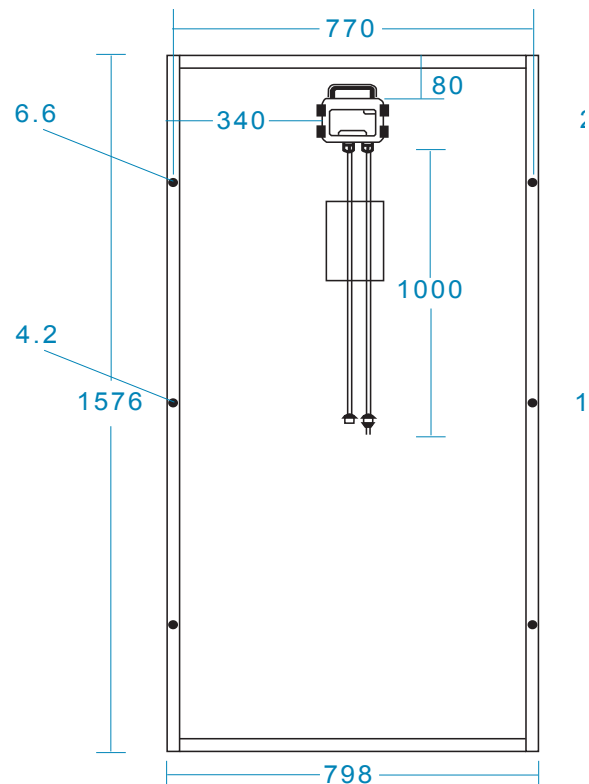
IEC 61215 certified  
 IEC 61730 certified  
 ISO 9001 certified facility

## JUNCTION BOX SPECIFICATIONS

Series Fuse Rating	10 A
Type of Output Terminal	Lead Wire with Connector

## ARRAY SPECIFICATIONS

N. American Max System Voltage	600 V
International Max System Voltage	1000 V



Dimensions are in mm

Specifications and design are subject to change without notice.  
 Crown Renewable Energy takes no responsibility for any defects that may occur in equipment using any CRE devices.  
 Contact CRE to obtain the latest product manuals before using any CRE device.