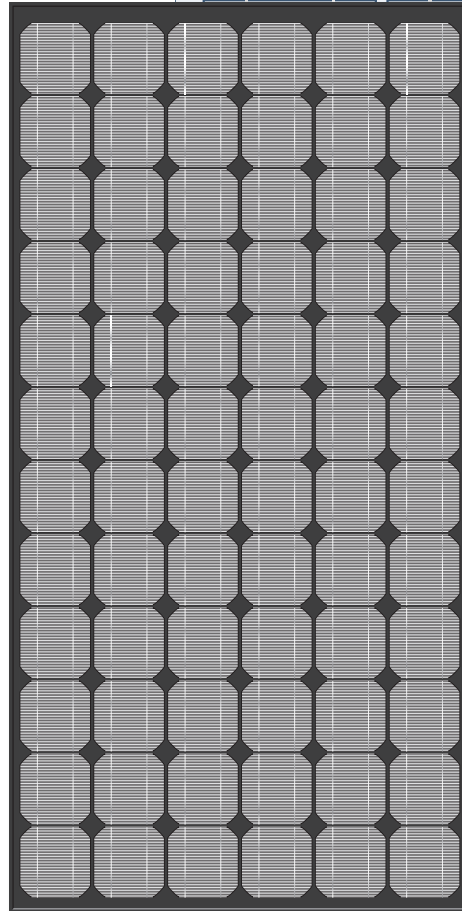




APEX BLACK SERIES (172BLK, 177BLK)

The Apex Black is the new green. Its sleek, streamlined look, with a slim 35mm low profile frame and an all black back film, breaks the mold of traditionally bulky, cumbersome and downright unappealing modules. The Apex Black proves itself to be a great choice for both residential and commercial applications.

- Aesthetically pleasing all black module with black back film
- Concealed busbars
- 35mm low profile frame constructed of black anodized aluminum and given double oxidation coating for additional protection against the elements
- Mono-Crystalline cells
- Withstands high loads of wind and snow
- Patented flat and compact junction box protects against corrosion and rapidly dissipates excess heat providing a lower operating temperature
- Quick connectors for fast, reliable installation wiring
- Five Year Workmanship and 25 Year Output Warranty



805 AEROVISTA PL. STE. 202
SAN LUIS OBISPO, CA 93401
805.269.1260 805.269.1270 (FAX)
INFO@CROWNRENEWABLES.COM
WWW.CROWNRENEWABLES.COM

Outshining
the Competition

APEX BLACK SERIES (172BLK, 177BLK)

MODULE CHARACTERISTICS

Cell Type	Mono-Crystalline Silicon
No. of Cells and Connections	72 in Series

ELECTRICAL CHARACTERISTICS

	172BLK	177BLK
Rated Power (Pmax)	172W	177W
Open Circuit Voltage (Voc)	45.2 V	45.3 V
Maximum Power Voltage (Vmp)	36.3 V	36.8 V
Short Circuit Current (Isc)	5.16 A	5.24 A
Maximum Power Current (Imp)	4.74 A	4.81 A

MECHANICAL CHARACTERISTICS

Dimensions	1576 x 799 x 35 mm
Weight	37.5 lbs 17 kg

THERMAL CHARACTERISTICS

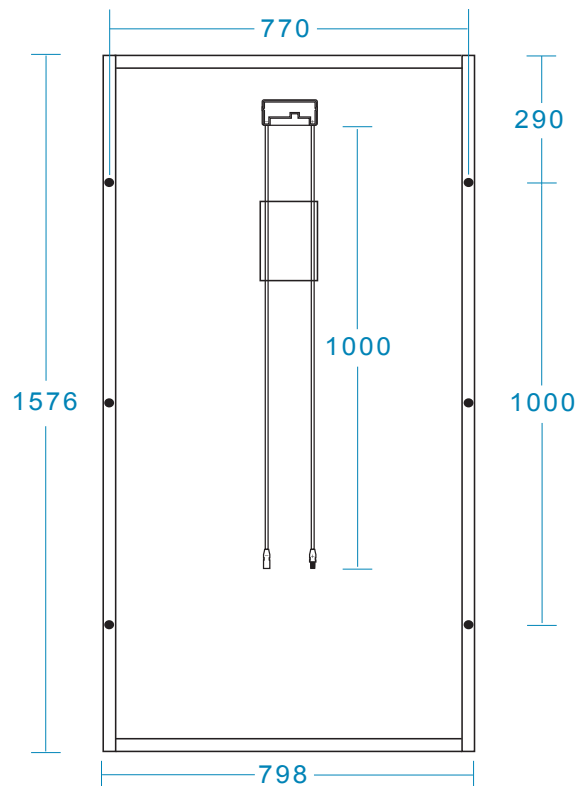
Operating Temperature	-40 to 194 °F -40 to 90 °C
Storage Temperature	-40 to 194 °F -40 to 90 °C

JUNCTION BOX SPECIFICATIONS

Series Fuse Rating	10 A
Type of Output Terminal	Lead Wire with MC Connector

ARRAY SPECIFICATIONS

N. American Max System Voltage	600 V
International Max System Voltage	1000 V



Dimensions are in mm

Specifications and design are subject to change without notice.
 Crown Renewable Energy takes no responsibility for any defects that may occur in equipment using any CRE devices.
 Contact CRE to obtain the latest product manuals before using any CRE device.