

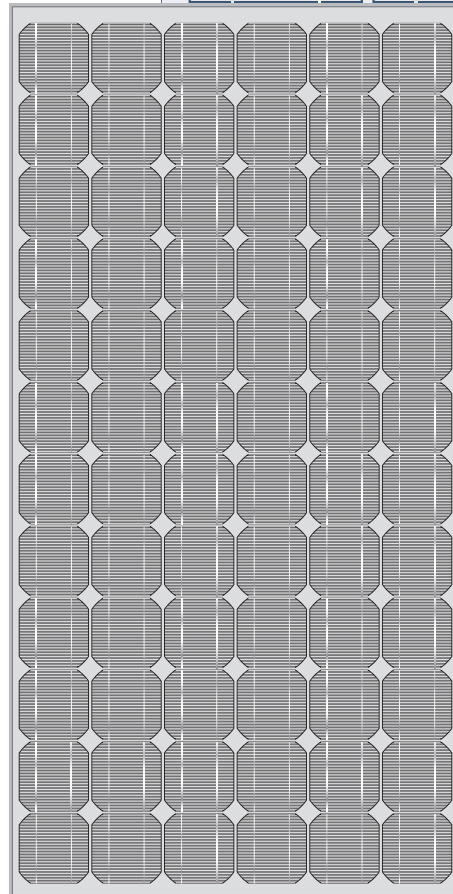


APEX SERIES

(160SP, 165SP, 170SP, 175SP)

We're proud of our Apex Series Modules. They're our crowning achievement and the core of our product line, providing our customers with great reliability, efficiency, and added design elements that go above and beyond simply a firm solution to your PV module needs. Utilizing JA Solar™ cells, a leader in mono-crystalline cell technology, the Apex Series maximizes efficiency, is easy to install, and like all of Crown Renewable Energy's modules, a constant performer.

- 35mm low profile frame constructed of aluminum alloy and given double oxidation coating for additional protection against the elements
- JA Solar Mono-Crystalline cells
- High quality performance enables multipurpose applications
- Two busbar cells maximize the cell's light absorbing surface
- Concealed busbars
- Patented flat and compact junction box protects against corrosion and rapidly dissipates excess heat providing a lower operating temperature
- Quick connectors for fast, reliable installation wiring
- Five Year Workmanship and 25 Year Output Warranty



APEX SERIES (160SP, 165SP, 170SP, 175SP)

MODULE CHARACTERISTICS

Cell Type	Mono-Crystalline Silicon
No. of Cells and Connections	72 in Series

ELECTRICAL CHARACTERISTICS

	160SP	165SP	170SP	175SP
Rated Power (Pmax)	160W	165W	170W	175W
Open Circuit Voltage (Voc)	44.25 V	44.38 V	44.51 V	44.64 V
Maximum Power Voltage (Vmp)	36.44 V	36.90 V	37.37 V	37.84 V
Short Circuit Current (Isc)	4.95 A	5.03 A	5.12 A	5.20 A
Maximum Power Current (Imp)	4.42 A	4.50 A	4.57 A	4.65 A

MECHANICAL CHARACTERISTICS

Dimensions	1576 x 799 x 35 mm
Weight	37.5 lbs 17 kg

THERMAL CHARACTERISTICS

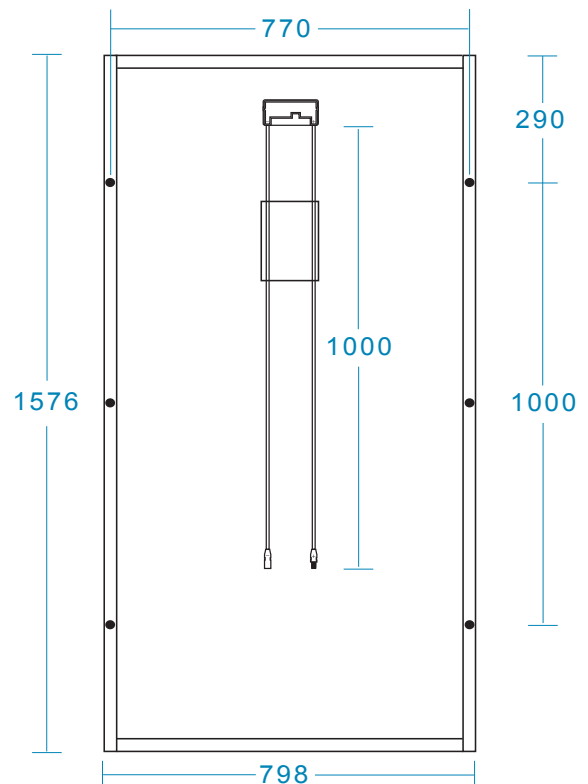
Operating Temperature	-40 to 194 °F -40 to 90 °C
Storage Temperature	-40 to 194 °F -40 to 90 °C

JUNCTION BOX SPECIFICATIONS

Series Fuse Rating	10 A
Type of Output Terminal	Lead Wire with MC Connector

ARRAY SPECIFICATIONS

N. American Max System Voltage	600 V
International Max System Voltage	1000 V



Dimensions are in mm

Specifications and design are subject to change without notice.
 Crown Renewable Energy takes no responsibility for any defects that may occur in equipment using any CRE devices.
 Contact CRE to obtain the latest product manuals before using any CRE device.